

323 E

325 E

X-SERIES

EDGER ATTACHMENT

Spare parts

Ersatzteile

Pièces détachées

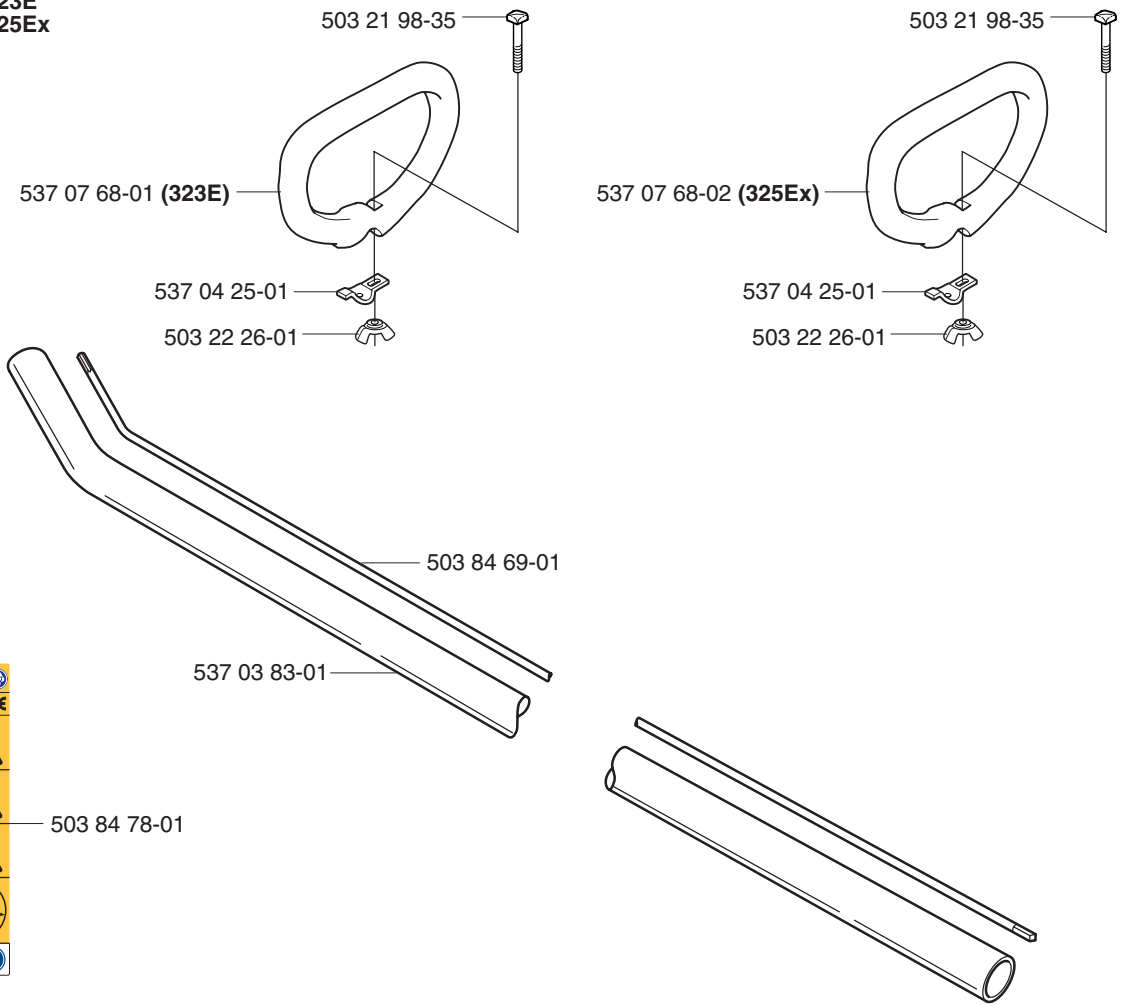
Reserve onderdelen

Repuestos

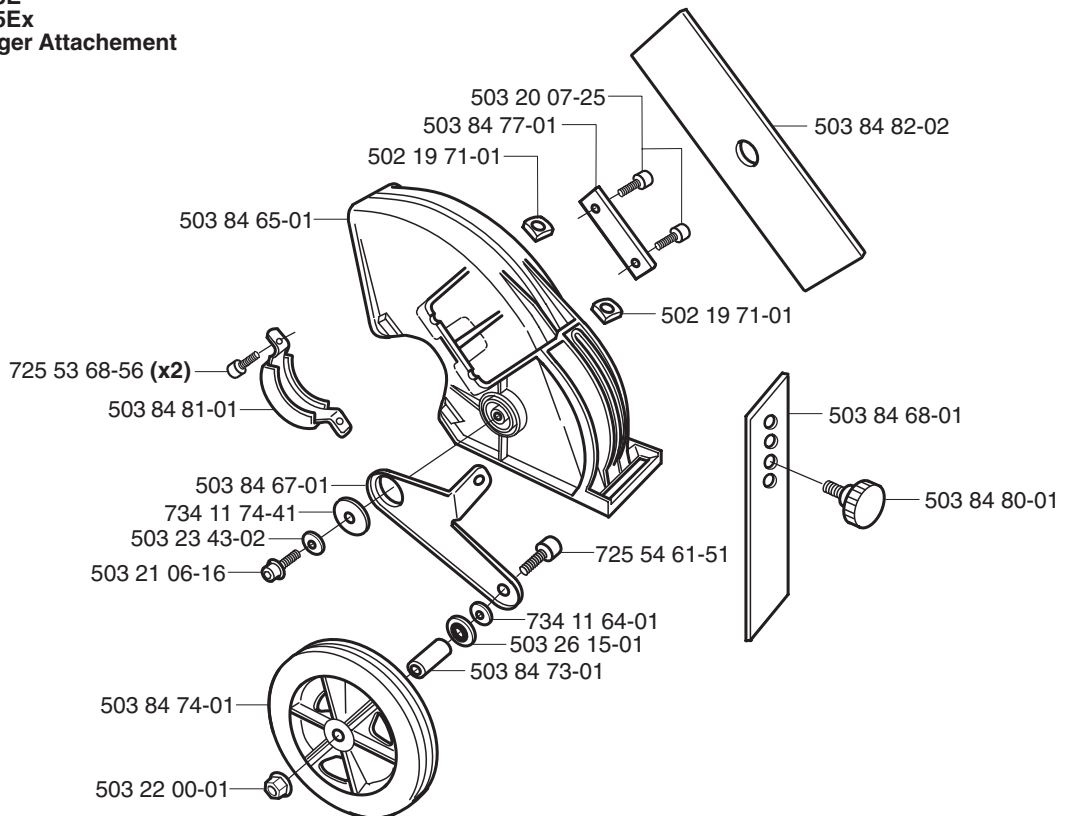
Reservdelar

E-tech

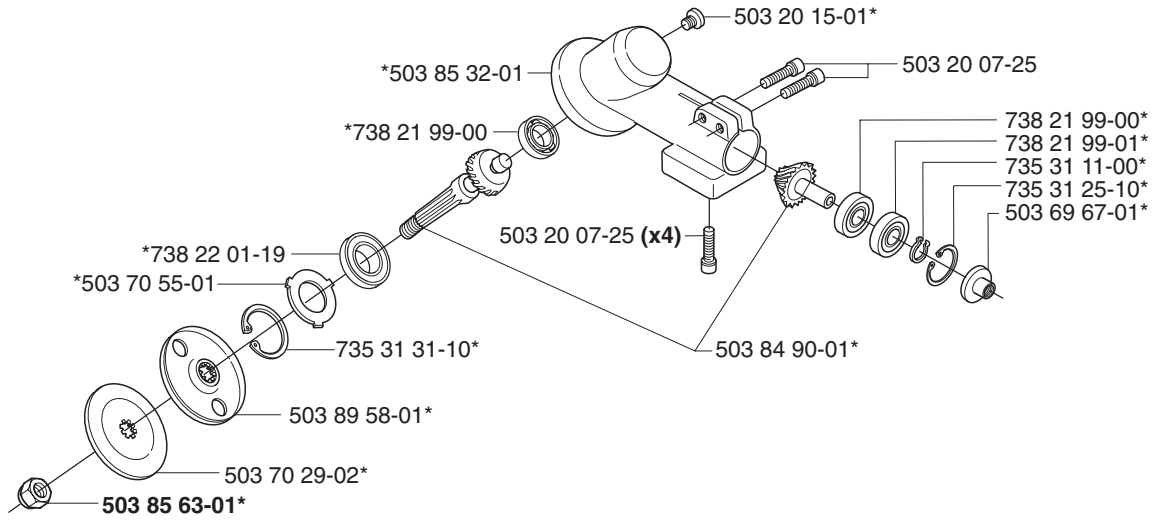
A 323E
325Ex



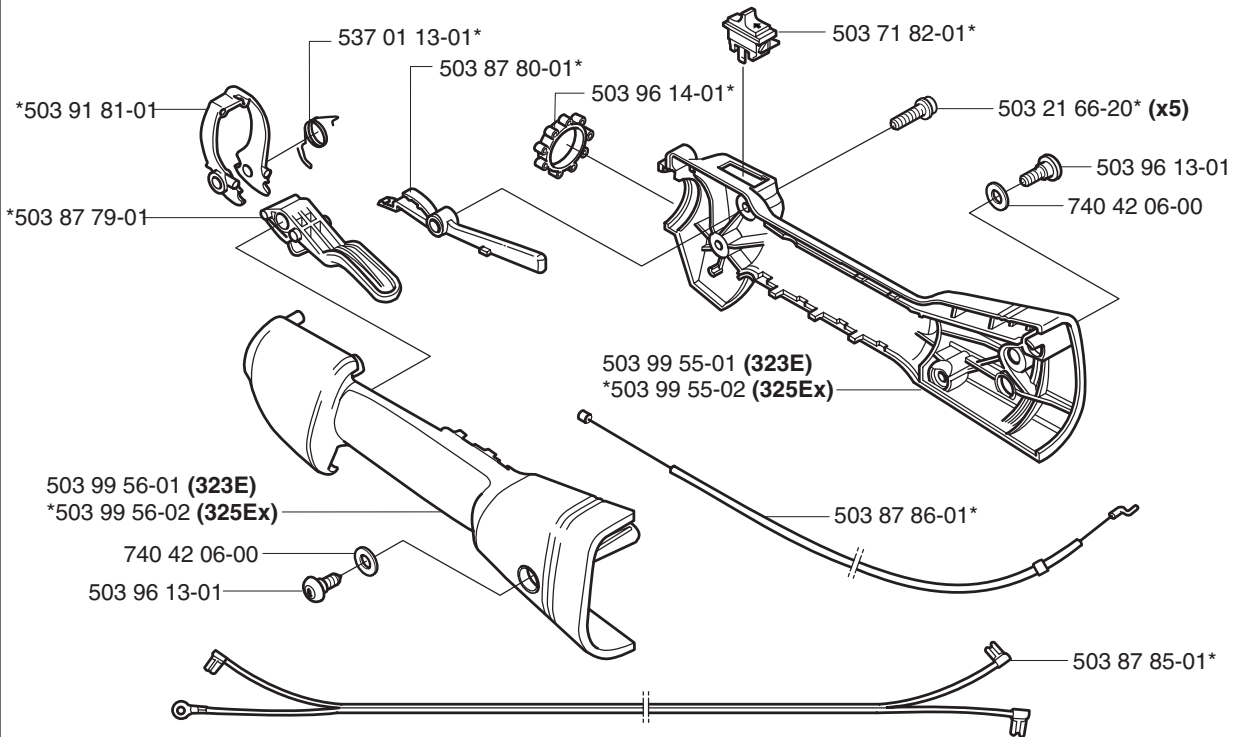
**323E
325Ex
Edger Attachment**



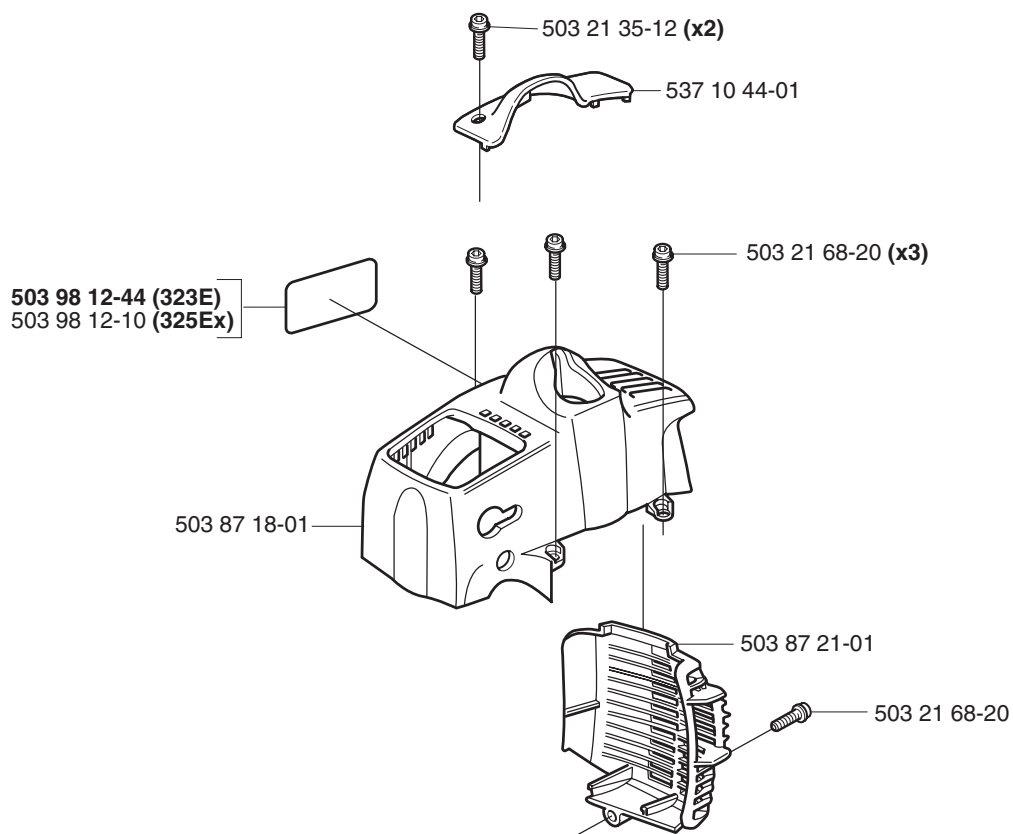
B *compl 502 21 92-06
323E
325Ex
Edger Attachment



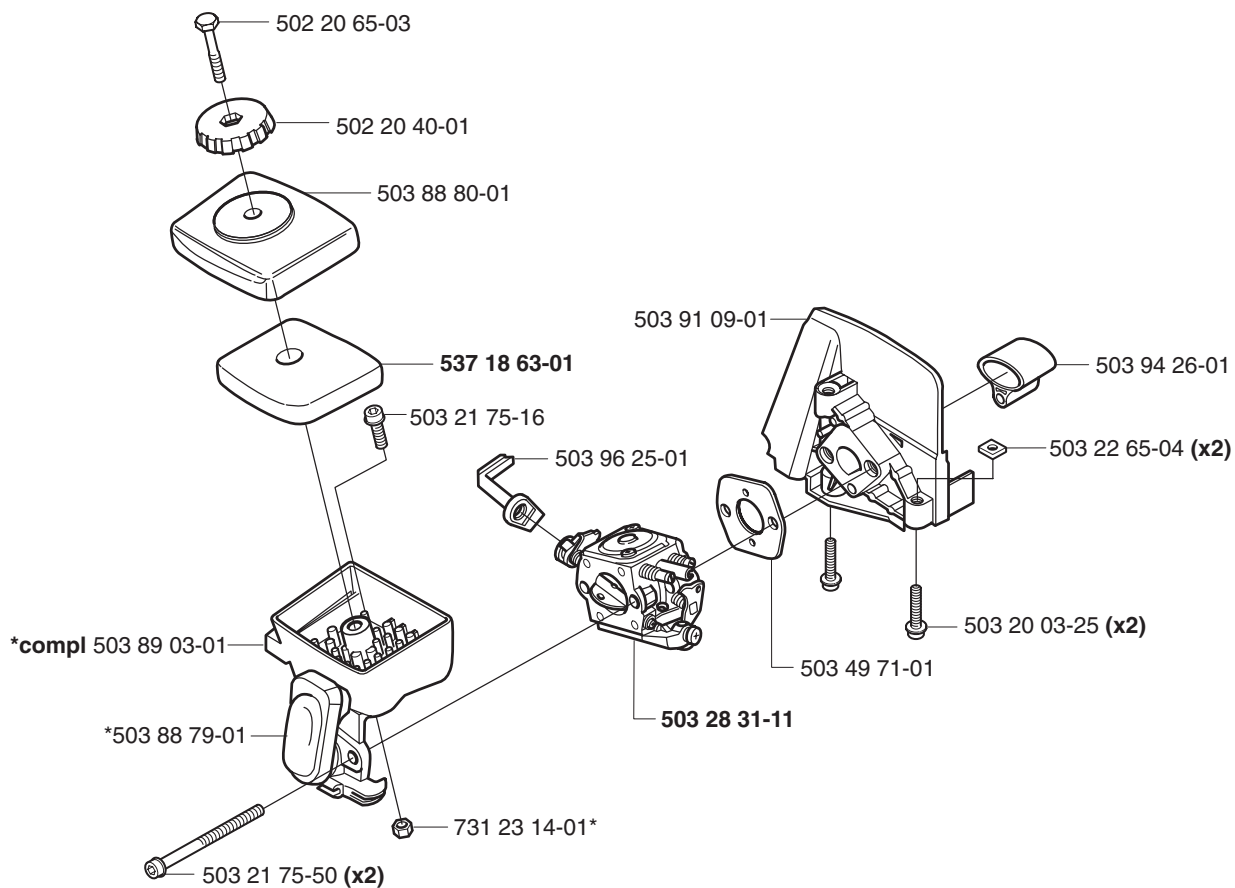
C *compl 503 85 29-02

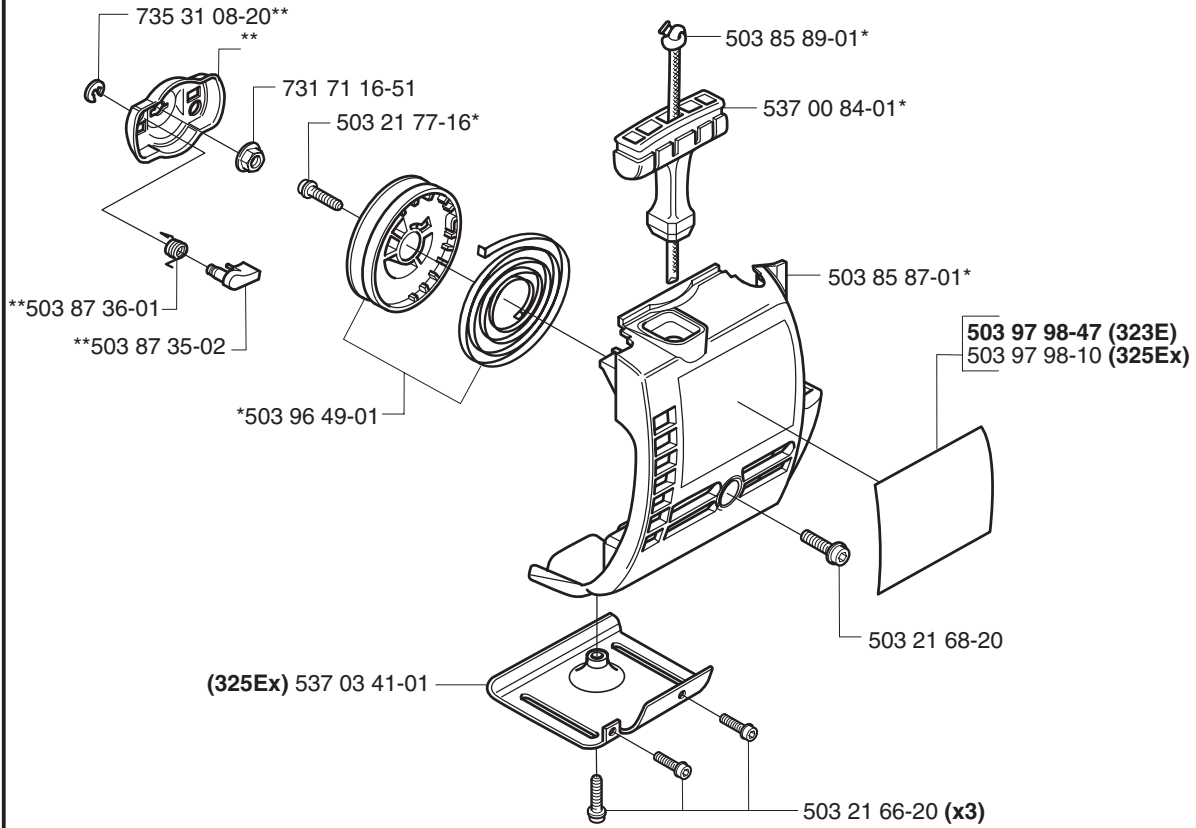
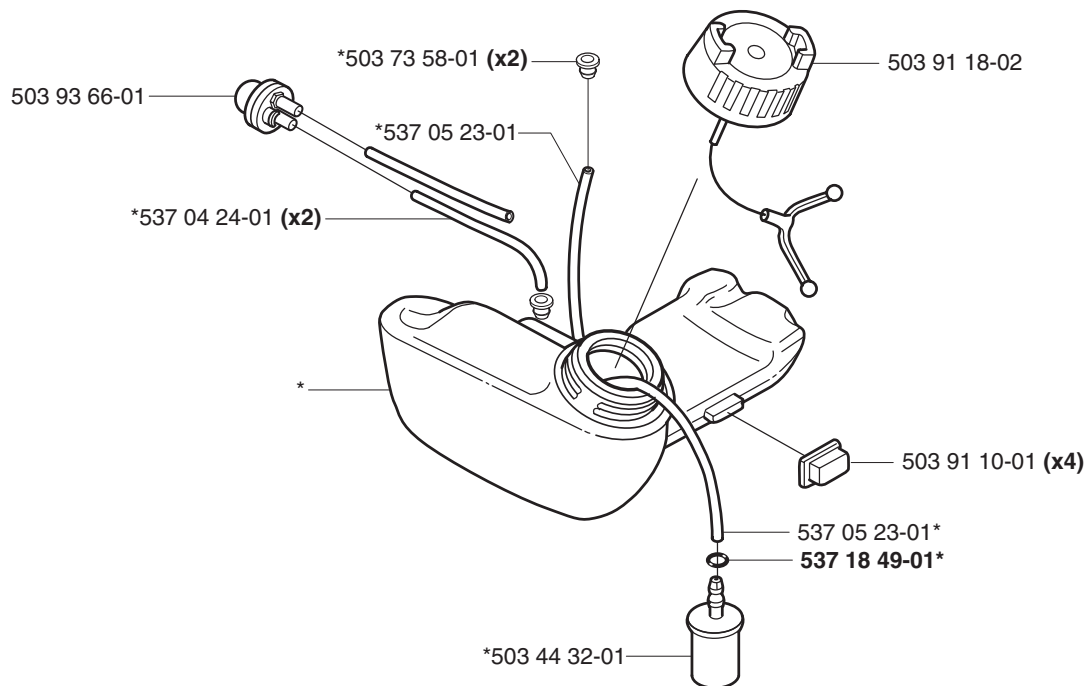


D



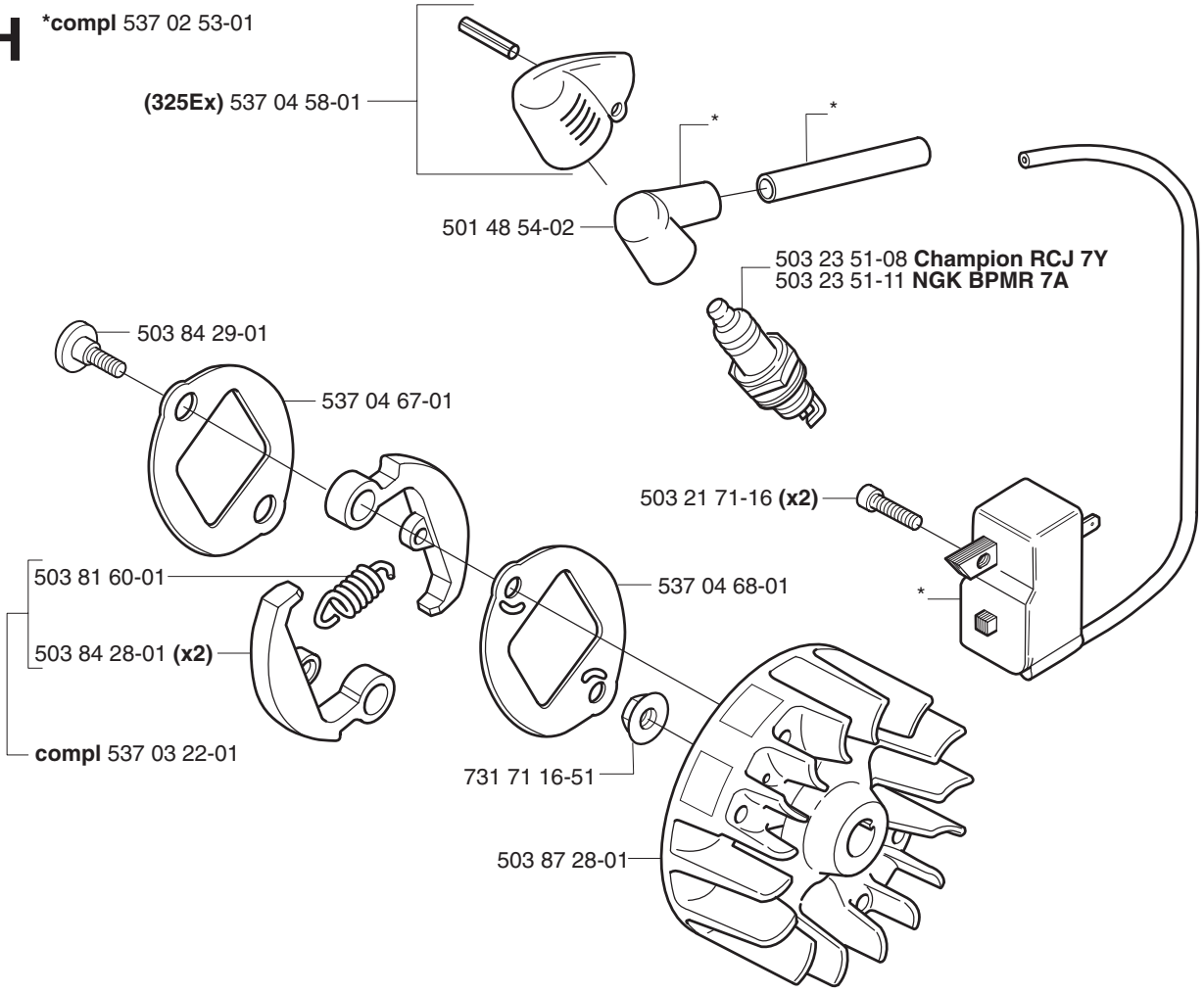
E



F****compl 503 87 33-02*****compl 503 85 28-01****G*****compl 537 06 86-01**

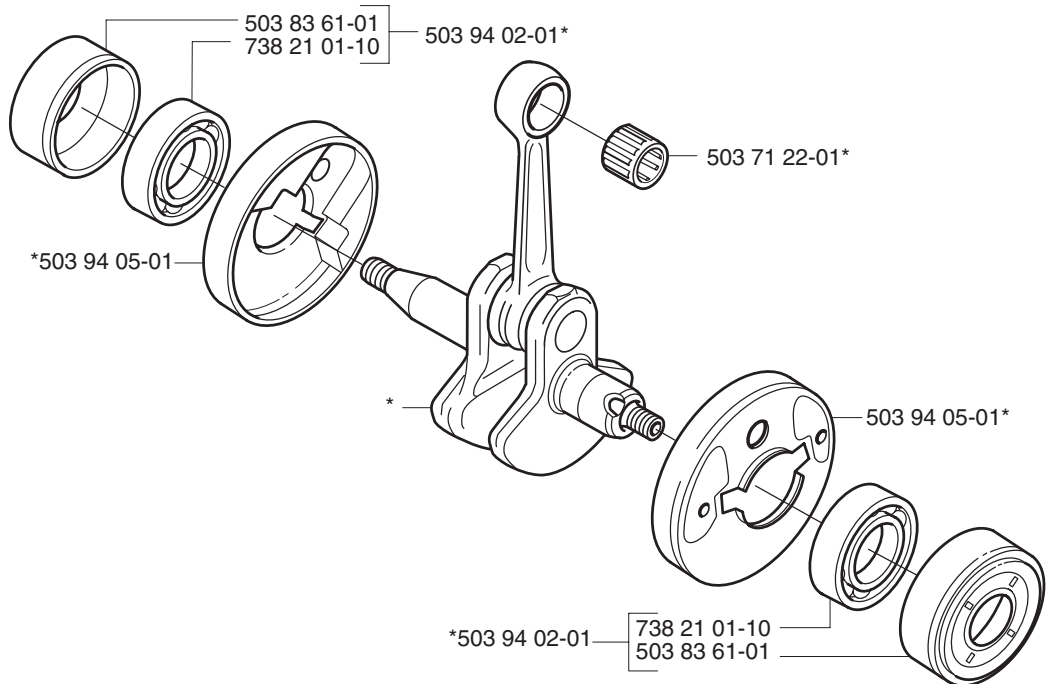
H

*compl 537 02 53-01



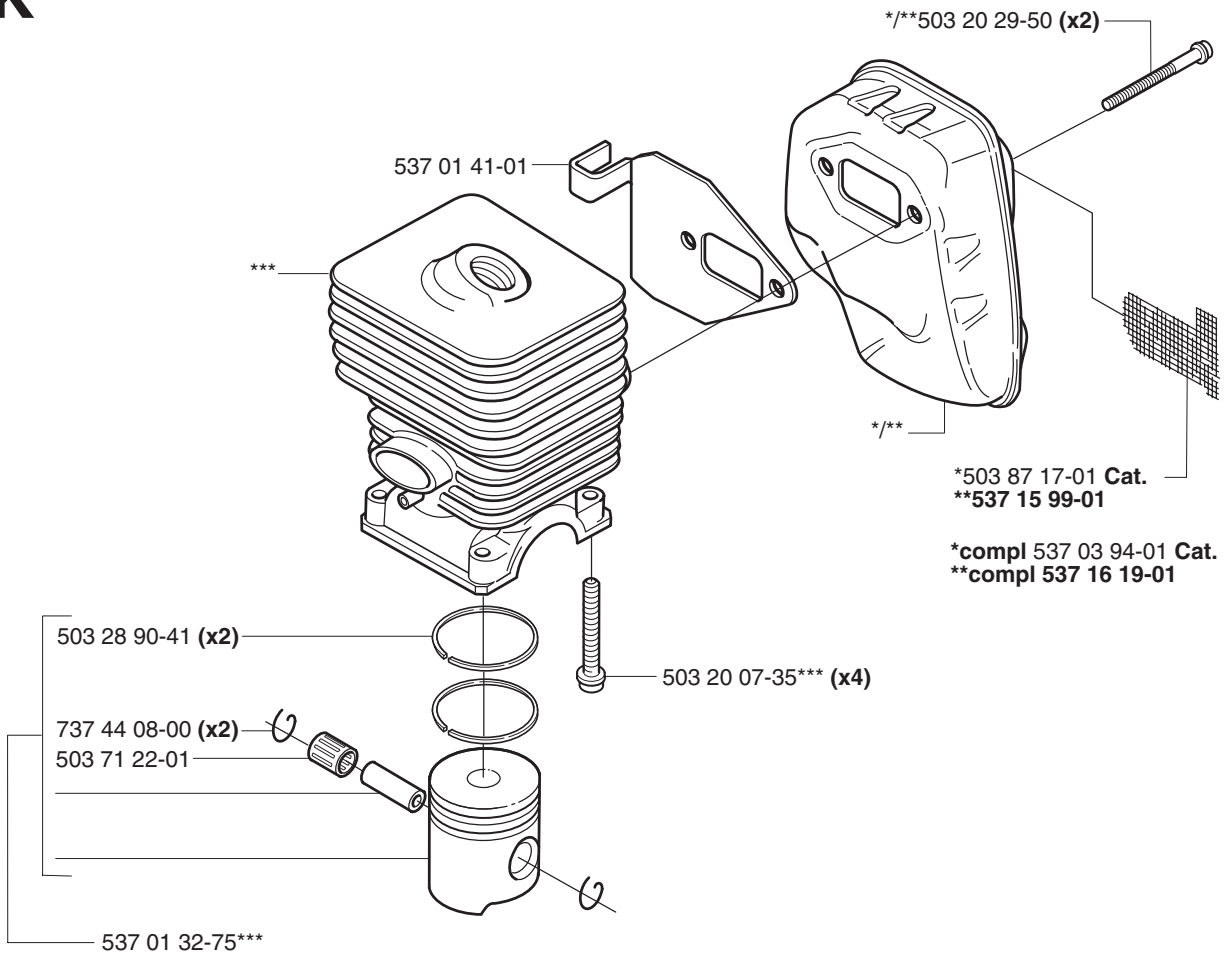
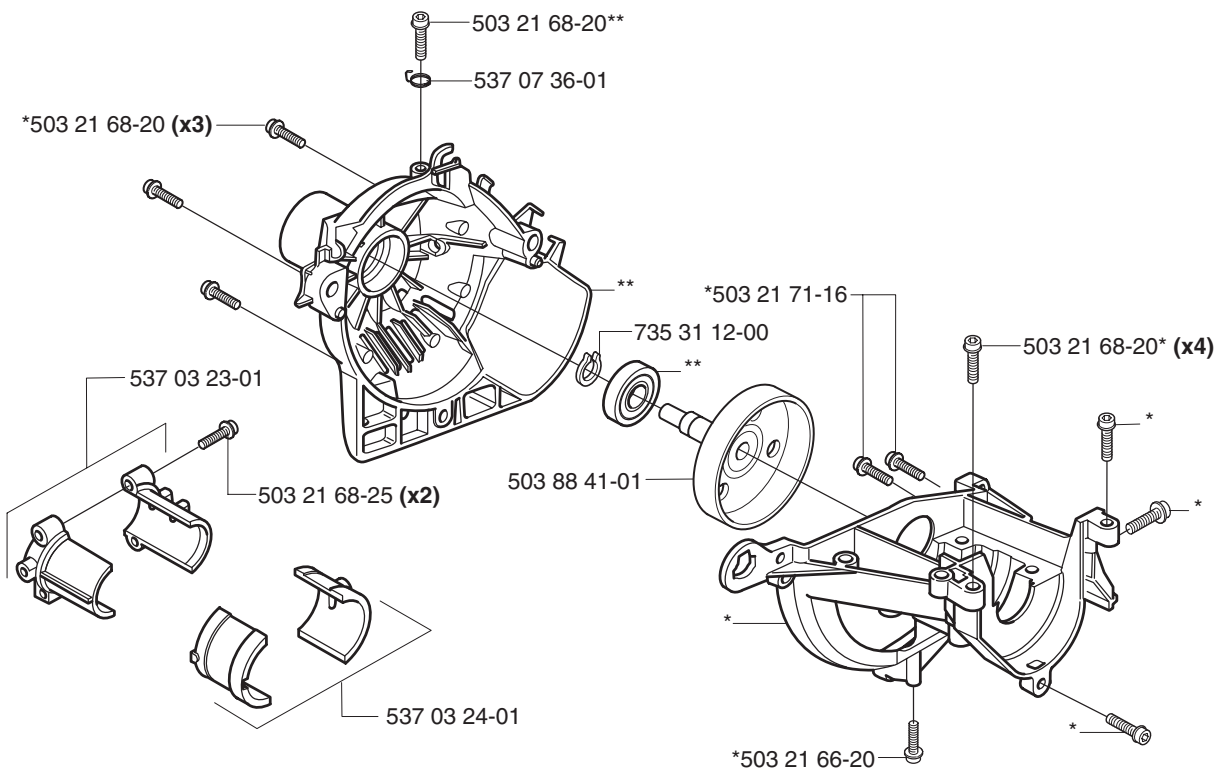
J

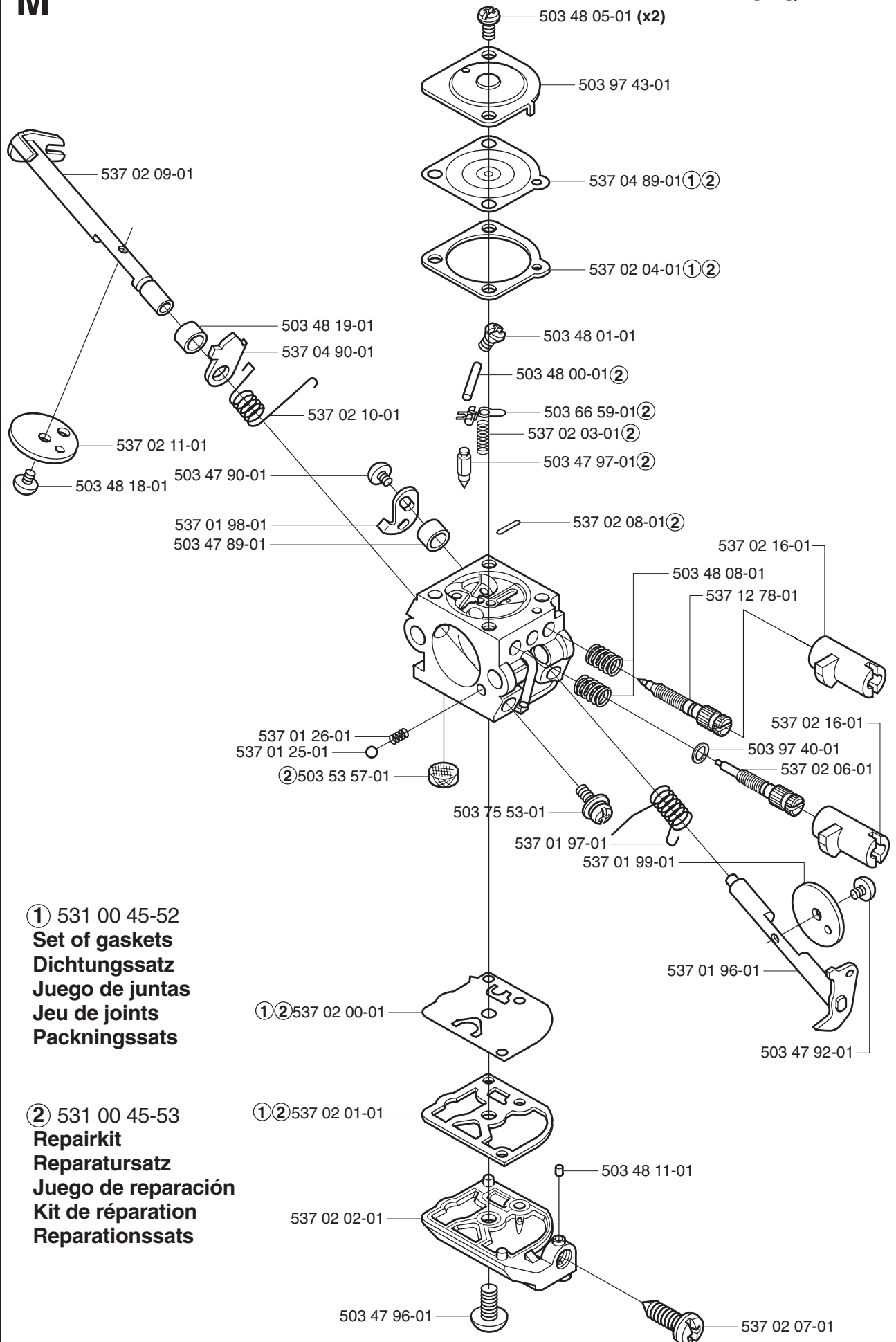
*compl 503 85 24-74



K

***compl 537 03 20-05

**L***compl 537 04 11-01
**compl 537 04 12-03



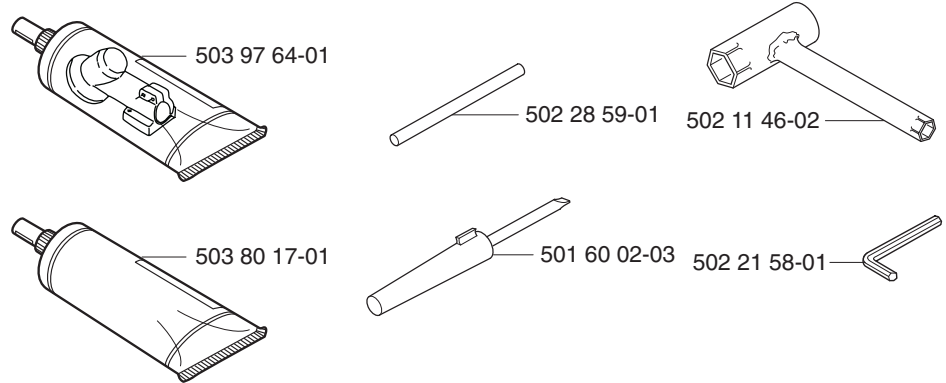
① 531 00 45-52
Set of gaskets
Dichtungssatz
Juego de juntas
Jeu de joints
Packningssatz

② 531 00 45-53
Repairkit
Reparaturatz
Juego de reparación
Kit de réparation
Reparationssatz

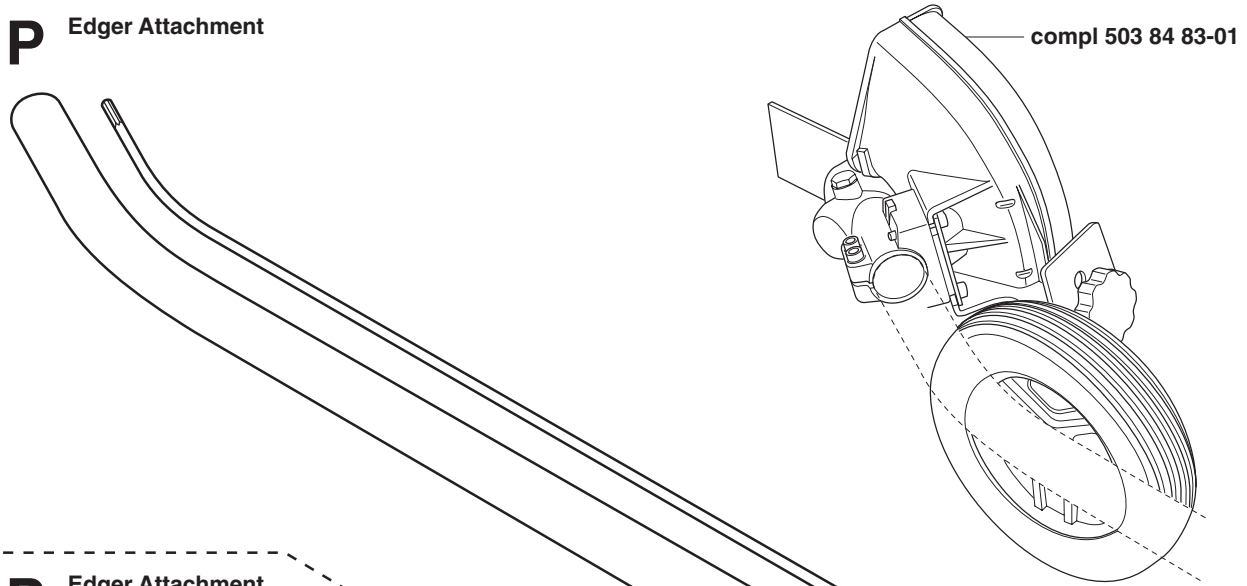
①② 537 02 00-01

①② 537 02 01-01

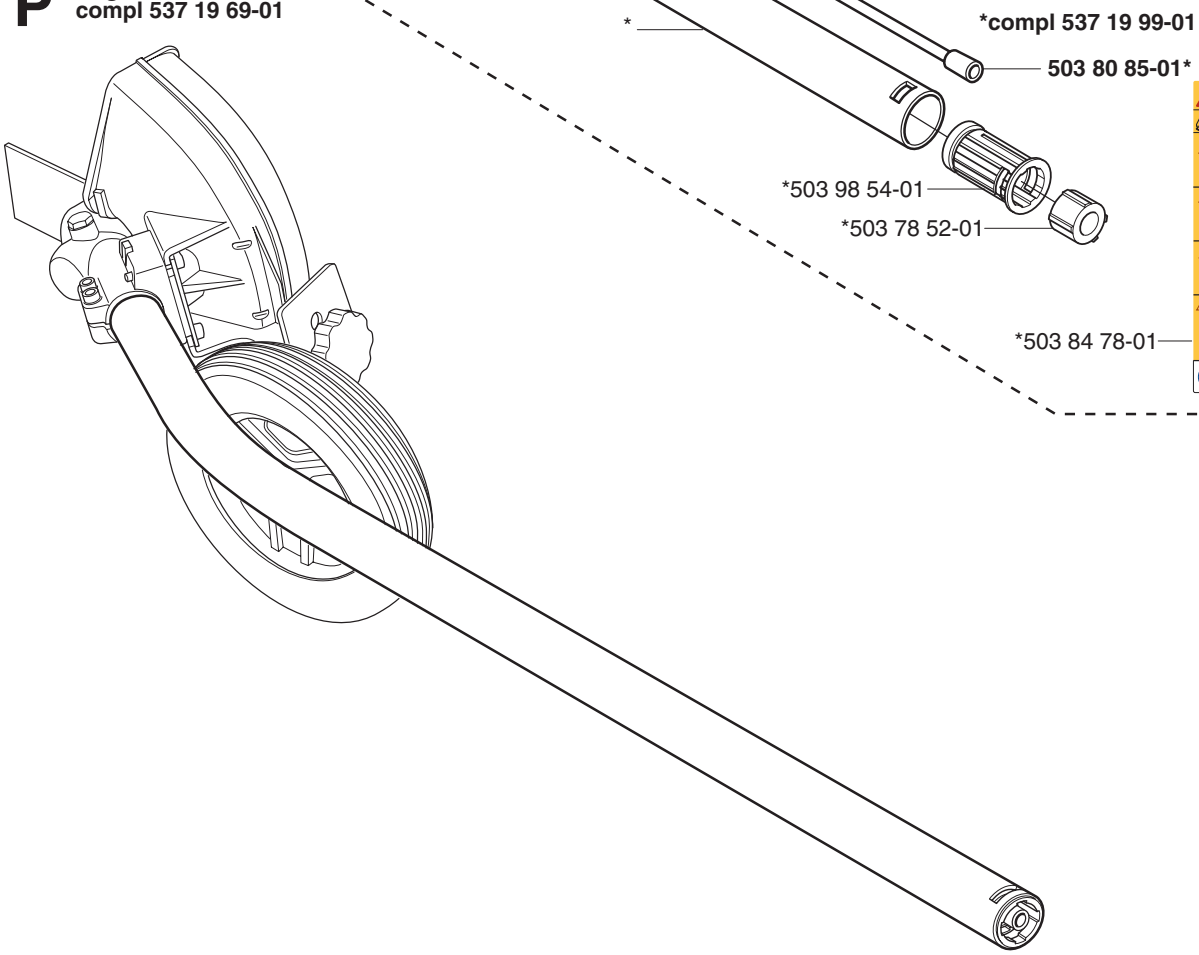
N Accessories
 Zubehöre
 Accessoires
 Accesorios
 Tillbehör



P Edger Attachment



P Edger Attachment
 compl 537 19 69-01



PART NUMBER	SQUARE NOTE	PART NUMBER	SQUARE NOTE	PART NUMBER	SQUARE NOTE	PART NUMBER	SQUARE NOTE
501 48 54-02	H	503 84 80-01	A	537 02 07-01	M		
501 60 02-03	N	503 84 81-01	A	537 02 08-01	M		
502 11 46-02	N	503 84 82-02	A	537 02 09-01	M		
502 19 71-01	A	503 84 83-01	P	537 02 10-01	M		
502 20 40-01	E	503 84 90-01	B	537 02 11-01	M		
502 20 65-03	E	503 85 24-74	J	537 02 16-01	M		
502 21 58-01	N	503 85 28-01	F	537 02 53-01	H		
502 21 92-06	B	503 85 29-02	C	537 03 20-05	K		
502 28 59-01	N	503 85 32-01	B	537 03 22-01	H		
503 20 03-25	E	503 85 63-01	B	537 03 23-01	L		
503 20 07-25	AB	503 85 87-01	F	537 03 24-01	L		
503 20 07-35	K	503 85 89-01	F	537 03 41-01	F		
503 20 15-01	B	503 87 17-01	K	537 03 83-01	A		
503 20 29-50	K	503 87 18-01	D	537 03 94-01	K		
503 21 06-16	A	503 87 21-01	D	537 04 11-01	L		
503 21 35-12	D	503 87 28-01	H	537 04 12-03	L	N	
503 21 66-20	CFL	503 87 33-02	F	537 04 24-01	G		
503 21 68-20	DFL	503 87 35-02	F	537 04 25-01	A		
503 21 68-25	L	503 87 36-01	F	537 04 58-01	H		
503 21 71-16	HL	503 87 79-01	C	537 04 67-01	H		
503 21 75-16	E	503 87 80-01	C	537 04 68-01	H		
503 21 75-50	E	503 87 85-01	C	537 04 89-01	M		
503 21 77-16	F	503 87 86-01	C	537 04 90-01	M		
503 21 98-35	A	503 88 41-01	L	537 05 23-01	G		
503 22 00-01	A	503 88 79-01	E	537 06 86-01	G		
503 22 26-01	A	503 88 80-01	E	537 07 36-01	L		
503 22 65-04	E	503 89 03-01	E	537 07 68-01	A		
503 23 43-02	A	503 89 58-01	B	537 07 68-02	A		
503 23 51-08	H	503 91 09-01	E	537 10 44-01	D		
503 23 51-11	H	503 91 10-01	G	537 12 78-01	M	N	
503 26 15-01	A	503 91 18-02	G	537 15 99-01	K	N	
503 28 31-11	EM	503 91 81-01	C	537 16 19-01	K	N	
503 28 90-41	K	503 93 66-01	G	537 18 49-01	G	N	
503 44 32-01	G	503 94 02-01	J	537 18 63-01	E	N	
503 47 89-01	M	503 94 05-01	J	537 19 69-01	P	N	
503 47 90-01	M	503 94 26-01	E	537 19 99-01	P	N	
503 47 92-01	M	503 96 13-01	C	725 53 68-56	A		
503 47 96-01	M	503 96 14-01	C	725 54 61-51	A		
503 47 97-01	M	503 96 25-01	E	731 23 14-01	E		
503 48 00-01	M	503 96 49-01	F	731 71 16-51	FH		
503 48 01-01	M	503 97 40-01	M	734 11 64-01	A		
503 48 05-01	M	503 97 43-01	M	734 11 74-41	A		
503 48 08-01	M	503 97 64-01	N	735 31 08-20	F		
503 48 11-01	M	503 97 98-10	F	735 31 11-00	B		
503 48 18-01	M	503 97 98-47	F	735 31 12-00	L		
503 48 19-01	M	503 98 12-10	D	735 31 25-10	B		
503 49 71-01	E	503 98 12-44	D	735 31 31-10	B		
503 53 57-01	M	503 98 54-01	P	737 44 08-00	K		
503 66 59-01	M	503 99 55-01	C	738 21 01-10	J		
503 69 67-01	B	503 99 55-02	C	738 21 99-00	B		
503 70 29-02	B	503 99 56-01	C	738 21 99-01	B		
503 70 55-01	B	503 99 56-02	C	738 22 01-19	B		
503 71 22-01	JK	531 00 45-52	M	740 42 06-00	C		
503 71 82-01	C	531 00 45-53	M				
503 73 58-01	G	537 00 84-01	F				
503 75 53-01	M	537 01 13-01	C				
503 78 52-01	P	537 01 25-01	M				
503 80 17-01	N	537 01 26-01	M				
503 80 85-01	P	537 01 32-75	K				
503 81 60-01	H	537 01 41-01	K				
503 83 61-01	J	537 01 96-01	M				
503 84 28-01	H	537 01 97-01	M				
503 84 29-01	H	537 01 98-01	M				
503 84 65-01	A	537 01 99-01	M				
503 84 67-01	A	537 02 00-01	M				
503 84 68-01	A	537 02 01-01	M				
503 84 69-01	A	537 02 02-01	M				
503 84 73-01	A	537 02 03-01	M				
503 84 74-01	A	537 02 04-01	M				
503 84 78-01	AP	537 02 06-01	M				

N = New part, Neues teil,
Nouvelle piece, Nueva pieza
Ny detalj